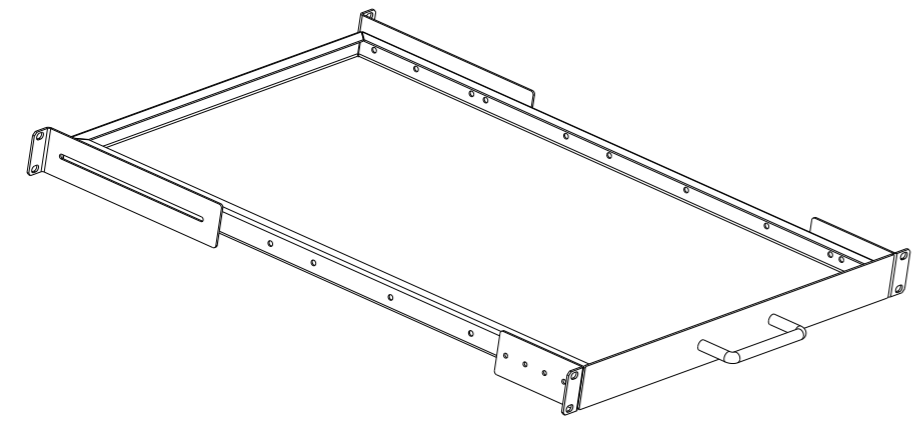
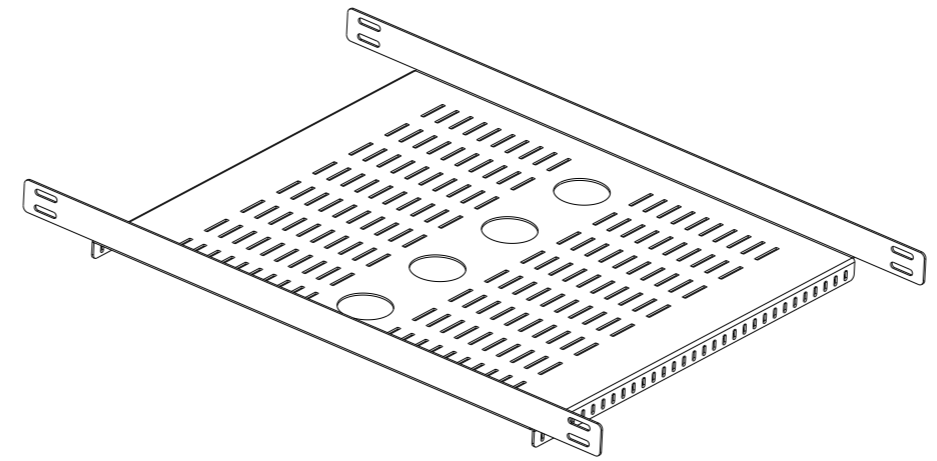


RACK DRAWER



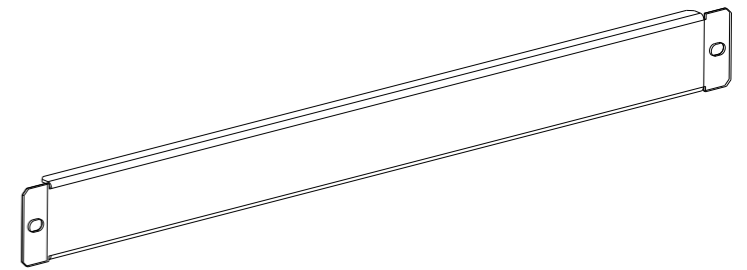
PRODUCT CODE	HEIGHT
DE12101	1U
DE12102	2U
DE12103	3U
DE12104	4U
DE12105	5U

TRAY



PRODUCT CODE	CABINET DEPTH
DE12301	800
DE12302	900

BLANK PANEL



PRODUCT CODE	HEIGHT
DE12201	1U
DE12202	2U
DE12203	3U
DE12204	4U

All intellectual rights regarding this document belong to DEICO Engineering Inc..
 The document is given on the conditions that it is not reproduced, used for
 production or other purposes and not shared with third parties without the
 written permission of DEICO, and receipt of the document means that these
 conditions are accepted and committed.

UNLESS OTHERWISE SPECIFIED ALL DIMENSIONS ARE IN MILLIMETERS.

PRODUCT NAME					 <small>www.deico.com.tr</small>
19" RACK CABINET ACCESSORIES					
DOCUMENT NAME					
19" RACK CABINET ACCESSORIES - TECHNICAL DRAWING					
SIZE	SCALE	REVISION	REVISION DATE	SHEET	
A3		0	29.12.2023	1/1	